

Dock Survey Sheet

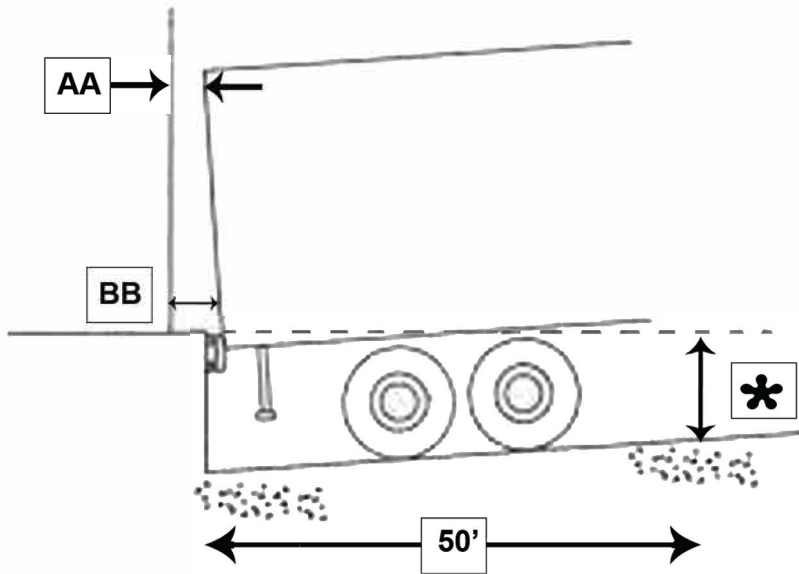
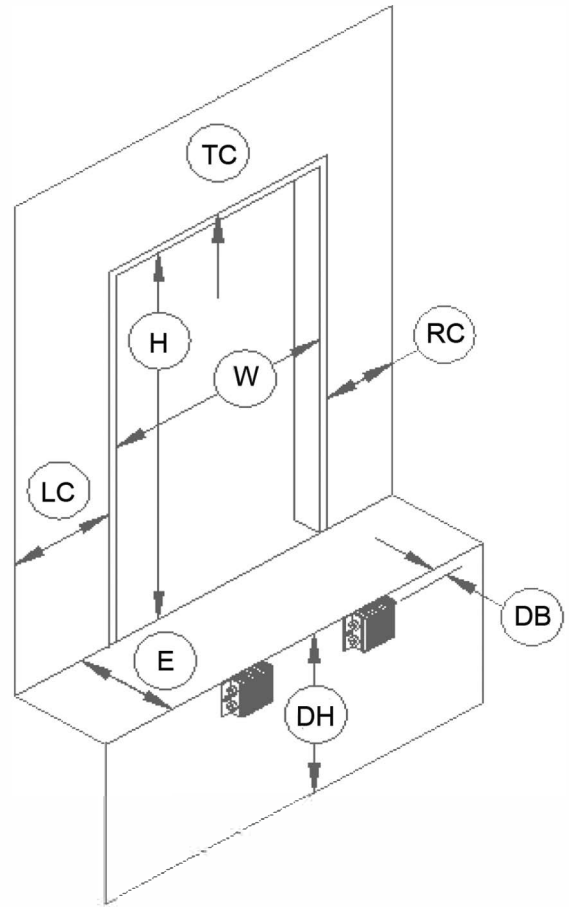
Measurements:

Clearance:
 TC: _____ LC: _____ RC: _____

Door
 Opening: W: _____ H: _____

Dock:
 E: _____ (if any) DB: _____ DH: _____
 E= setback to building (Bumper) (@ Dock Face)

**** DO NOT MEASURE SETBACK TO THE DOCK DOOR ****
**** MEASURE FROM THE END OF DOCK TO THE BUILDING WALL ****



Measurements:

Truck distance from building:
 AA: _____ BB: _____

*: _____ (Dock Height at 50')
 *Measure with a line level from the end of the dock.

Dock Approach:
 _____ Incline _____ Decline
 _____ Level _____ Split

Existing Seals/Shelter Projection:
 Top: _____ Bottom: _____

Lift Gate/Step: _____
 (Length extended from truck)

